

KEY FEATURES



BEST IN CLASS MID DRIVE

- The Shimano EP8 mid drive system is made specifically for mountain biking. It gives you a natural feeling ride plus smooth, intuitive power.
- A state-of-the-art battery uses the same advanced lithium-ion cells as an electric car. It's specially designed for the rigors of mountain biking.

RIDE YOUR WAY

Sophisticated software fits your riding style like a glove. You can customize your settings with a bluetooth connected smartphone app. A special left hand switch provides accurate, easy shifting between power-assist modes.



NO COMPROMISES

A bike is only as good as its weakest part, and the Elevate is crafted with select, brand name components from the ground up with no compromises.

Try one free! Find a dealer at pedego.com

PEDEGO[®]
ELECTRIC BIKES

SMALL DETAILS MAKE A BIG DIFFERENCE



1. Computer Display

Specifically designed to be compact and durable for MTB riding.



4. Shimano XT

12-speed drivetrain for easy pedaling and smooth shifting.



2. Full Suspension

Rear: RockShox Revalation RC 150mm Travel
Front: RockShox Super Deluxe Select+ RT



5. Tubeless Ready

All that's needed is tubeless sealant.



3. Shimano XT

Hydraulic disc brakes with 203mm rotors that can stop on a dime.



6. Dropper Seatpost

Raise or lower your seat while riding with the push of a button.

More Notes...

Try one free! Find a dealer at pedego.com

PEDEGO[®]
ELECTRIC BIKES

ELEVATE SPECIFICATIONS

Electronics

MOTOR	SHIMANO STEPS EP8 BRUSHLESS GEARED MID-DRIVE MOTOR; 250 WATT NOMINAL POWER RATING; 85NM MAX TORQUE OUTPUT; COMPACT DESIGN WITH NARROW 177MM Q-FACTOR.
BATTERY	DARFON E4C0C 36 VOLT 14 AMP HOUR WITH PREMIUM LITHIUM ION 18650 CELLS.
CHARGER	DARFON 5.6 AMP SMART BATTERY CHARGER WITH CHARGE INDICATOR LIGHT.
CONTROLLER	SHIMANO 36V CONTROLLER; INTEGRATED INTO DRIVE UNIT.
ASSIST	FREE RIDE MODE (ASSIST OFF), THREE LEVELS OF PEDAL ASSIST: ECO, TRAIL, BOOST; ONE LEVEL OF WALK ASSIST; CUSTOMIZE SUPPORT LEVELS VIA BLUETOOTH.
DISPLAY	DYNAMIC EASY TO READ LCD; WIRELESSLY CUSTOMIZE PREFERENCES VIA BLUETOOTH; SPECIFICALLY DESIGNED TO BE COMPACT AND DURABLE FOR MTB RIDING.
SWITCH UNIT	SHIMANO STEPS EP8 SWITCH UNIT; ERGONOMIC DESIGN WITH INTUITIVE OPERATION; CUSTOMIZABLE VIA E-TUBE PROJECT.
TOP SPEED	20 MPH WITH MOTOR ASSISTANCE ONLY.

Drivetrain

CHAIN GUIDE	SHIMANO SM-CDE800 CHAIN DEVICE.
REAR DERAILLEUR	SHIMANO RD-M8100 12-SPEED; INTEGRATED CLUTCH FOR MAXIMUM CHAIN RETENTION; RIDER TUNED FOR SHARP AND SILKY SHIFTS; MODEL NO: RD-M8100-SGS.
CASSETTE	SHIMANO XT M8100 12 SPEED HYPERGLIDE+ 10-51T; WIDE RANGE AND SMOOTH GEAR STEPS FOR 1X12; DESIGNED FOR AGGRESSIVE TRAIL RIDING; MODEL NO: CS-M8100-12t.
SHIFTERS	SHIMANO XT M8100 RAPIDFIRE PLUS 12 SPEED SHIFT LEVER; 20% LIGHTER SHIFTS WITH 2-WAY RELEASE; I-SPEC EV; MODEL NO: SL-M8100-R.
BOTTOM BRACKET	SHIMANO HOLLOWTECH II 24MM HOLLOW STEEL SPINDLE; INTEGRATED DUAL TORQUE SENSORS.
CHAIN	SHIMANO CN-M8100-12 SPEED.
CRANK	SHIMANO 3 PIECE CRANKS; SHIMANO DIRECT MOUNT 36T 3/32" CHAINRING WITH DYNAMIC CHAIN ENGAGEMENT; 165MM FORGED ALUMINUM CRANK ARMS.
PEDALS	CRANK BROTHERS STAMP 1 LARGE PLATFORM PEDAL; 9/16" FULLY SEALED AXLE; NYLON COMPOSITE BODY WITH REPLACEABLE STEEL TRACTION PINS; 100% SERVICEABLE. BEARING AND BUSHING SYSTEM.

Try one free! Find a dealer at pedego.com



SPECIFICATIONS

Brakes

CALIPERS	SHIMANO XT M8120 HYDRAULIC DISC BRAKE CALIPER; 4-PISTON CALIPER PROVIDES CONSISTENT BRAKING PERFORMANCE AND RELIABLE STOPPING POWER IN ALL CONDITIONS; MODEL NO: BR-8120.
LEVERS	SHIMANO XT M8100 HYDRAULIC DISC BRAKE LEVER; SLEEK AND RESILIENT MASTER CYLINDER DESIGN; SERVOWAVE HIGH POWER BRAKE; MODEL NO: BL-M8100.
PADS	SHIMANO N03A-RF RESIN BRAKE PADS; LOW NOISE WITH EXCELLENT POWER MODULATION.
ROTORS	FRONT: SHIMANO DEORE RT64 203MM CENTERLOCK DISC ROTOR; COMPATIBLE WITH SHIMANO METAL AND RESIN BRAKE PADS REAR: SHIMANO DEORE RT-EM600 203MM CENTERLOCK DISC ROTOR; INTEGRATED SPEED SENSOR MAGNET; COMPATIBLE WITH SHIMANO METAL AND RESIN BRAKE PADS.

Components

FRAME	6061-T6 ALUMINUM ALLOY; 1 1/8"-1 1/2" TAPERED HEAD TUBE; 151MM TRAVEL FOUR BAR HORST LINK REAR SUSPENSION; INTEGRATED INTERNAL DOWNTUBE BATTERY; INTERNAL CABLE AND WIRE ROUTING.
FORK	ROCKSHOX REVELATION RC 29"; 150MM TRAVEL DEBONAIR SPRING; 35MM ALUMINUM STANCHIONS; 1 1/8"-1 1/2" TAPERED STEERER TUBE; 15X110MM MAXLE LITE; COMPRESSION DAMPING ADJUSTMENT WITH HYDRAULIC LOCKOUT; REBOUND DAMPING ADJUSTMENT
REAR SHOCK	ROCKSHOX SUPER DELUXE SELECT+ RT; EYE-TO-EYE 205MM; SHOCK TRAVEL 65MM; TRUNNION MOUNT; PEDAL COMPRESSION SWITCH; REBOUND DAMPING ADJUSTMENT.
HEADSET	BLACK ZERO STACK SEMI-INTEGRATED; SEALED CARTRIDGE BEARINGS; 1 1/8" - 1 1/2" THREADLESS TAPERED; ZS44/28.6 ZS56/40.
SEATPOST	SDG TELLIS 30.9MM DROPPER SEATPOST WITH INTEGRATED SADDLE RAIL CLAMP; ON-THE-FLY SADDLE HEIGHT ADJUSTMENT WITH UP TO 125MM OF DROP.
SADDLE	SDG BEL-AIR V3 MAX.
RIMS	CRANK BROTHERS 29" RIM; 31.5MM INTERNAL WIDTH; 6013-T6 SERIES ALLOY; FRONT: 28 HOLE; REAR: 32 HOLE.
SPOKES	FRONT: SAPIM E-LIGHT; REAR: SAPIM STRONG.
GRIPS	SDG THRICE 33MM INTEGRATED LOCK-ON GRIPS.
HANDLEBAR	FSA COMET OS35; ALUMINUM ALLOY; 35.0MM STEM CLAMP DIAMETER; 8° BACKSWEEP, 5° UPSWEEP; 25MM RISE; 760MM WIDTH.
STEM	FSA COMET OS35; 50MM LENGTH; 0° RISE; 35.0MM HANDLEBAR CLAMP DIAMETER; 1 1/8" (28.6MM) THREADLESS STEERER TUBE CLAMP DIAMETER.
TIRES	FRONT: MAXXIS ASSEGAI 29" X 2.6"; 3C MAXX TERRA RUBBER COMPOUND; TUBELESS READY; 60 TPI CASING / FOLDING BEAD; EXO+ SIDEWALL PUNCTURE PROTECTION; PRESTA VALVE REAR: MAXXIS MINION DHR2 29" X 2.6"; 3C MAXX TERRA RUBBER COMPOUND; TUBELESS READY; 60 TPI CASING / FOLDING BEAD; EXO+ SIDEWALL PUNCTURE PROTECTION; PRESTA VALVE

Try one free! Find a dealer at pedego.com



SPECIFICATIONS

Extras

E-TUBE PROJECT

PROPRIETARY SHIMANO APPLICATION ALLOWS YOU TO UPDATE SYSTEM FIRMWARE AND CHANGE SETTINGS WHEN CONNECTED TO A SMARTPHONE OR TABLET.

Weight

BIKE (NO BATTERY)

SMALL: 48 LB; MEDIUM: 48.5LB; LARGE: 49LB.

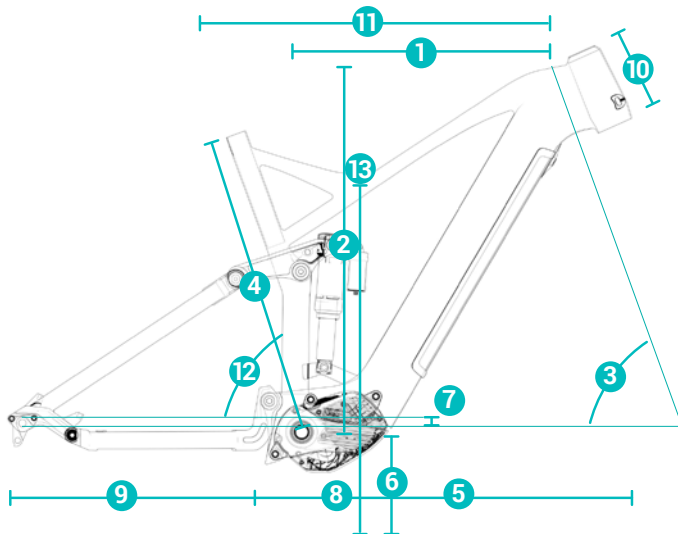
BATTERY

36V/14Ah: 6.2LB.

**All bicycle weights do not include a battery. Due to manufacturing tolerances of the individual components the overall bike weight may vary +/- 5%.*

DIMENSIONS

Elevate



	SMALL	MEDIUM	LARGE
1. REACH	16.60"	17.19"	18.32"
2. STACK	24.73"	24.73"	24.91"
3. HEAD TUBE ANGLE	66°	66°	66°
4. SEAT TUBE LENGTH	15.98"	17.99"	20"
5. FRONT CENTER	29.6"	30.1"	31.4"
6. BB HEIGHT	14.35"	14.35"	14.35"
7. BB DROP	0.59"	0.59"	0.59"
8. WHEELBASE	47.85"	48.44"	49.65"
9. REAR CENTER	18.31"	18.31"	18.31"
10. HEAD TUBE LENGTH	5.12"	5.12"	5.31"
11. TOP TUBE LENGTH	23.23"	23.82"	25"
12. SEAT TUBE ANGLE	75°	75°	75°
13. STANDOVER HEIGHT	30"	30.24"	30.9"
FIT	5'2"-5'6"	5'6"-5'10"	5'10"-6'1"

Try one free! Find a dealer at pedego.com

